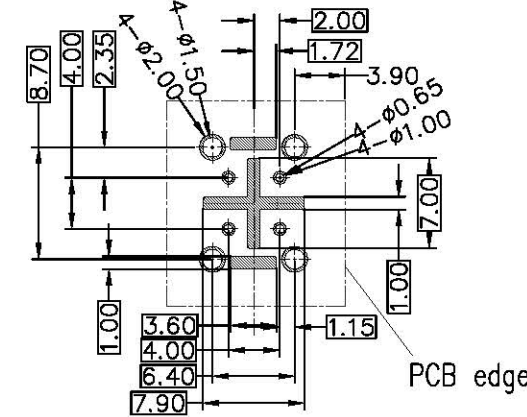
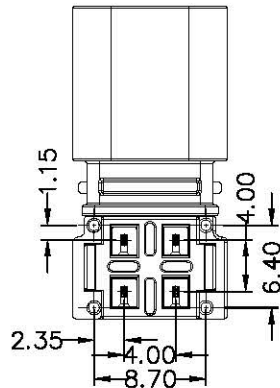
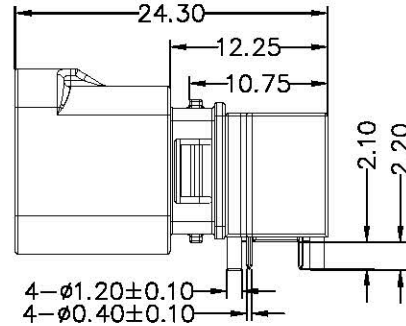
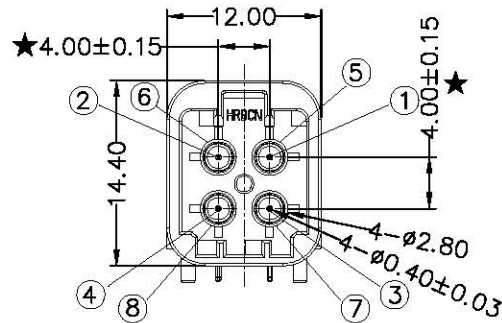


**3D View**



Version	Description of Change	Date	Drawn by
A1	Add Pin numbering	2021.03.20	Miki
A2	Update Pin numbering	2021.04.08	Miki

Notes:

- 1.Electrical
  - 1.1 Insulation Resistance:1000MΩ Min.
  - 1.2 Dielectric Withstanding Voltage:500V DC
  - 1.3 Contact Resistance:10mΩ Max.
- 2.Mechanical
  - 2.1 Un-mating force (with lock): 110N Min.
- 3.Environmental performance
  - 3.1 Operating Temperature:-40°C to +105°C.
- 4.Materials:
  - 4.1 Terminal :Copper alloy
  - 4.2 Plastic body :High Temperature Thermoplastic UL94V-0 Color:Black
  - 4.3 Shell :Zinc alloy
  - 4.4 Inner Shell :Copper alloy
  - 4.5 Housing :High Temperature Thermoplastic, UL94V-0, Color: See Part Number

5.Plating:

- 5.1 Terminal :Contact area Ni 30u"Min Au3u"Min. Soldering area Ni 30u"Min Sn 80u"Min
- 5.2 SHELL : Ni 80u"Min Sn 80u"Min
- 5.3 Inner Shell: Ni 30u"Min

★"Special characteristic size.

序号	A	B	C	D	E	F	G
图视							
颜色	黑色(9005)	白色(9001)	蓝色(5005)	紫色(4004)	绿色(6002)	棕色(8011)	灰色(7031)
料号	A-M4008T-4-A	A-M4008T-4-B	A-M4008T-4-C	A-M4008T-4-D	A-M4008T-4-E	A-M4008T-4-F	A-M4008T-4-G
序号	H	I	K	L	M	N	Z
图视							
颜色	紫罗兰色(4003)	米黄色(1001)	咖啡色(1027)	卡红色(3002)	橙色(2003)	蓝绿色(6019)	水蓝色(5021)
料号	A-M4008T-4-H	A-M4008T-4-I	A-M4008T-4-K	A-M4008T-4-L	A-M4008T-4-M	A-M4008T-4-N	A-M4008T-4-Z

SCALE (比例)	1:1	Part number (零件料号)	UNIT:mm	
TYPE (类型)	CW	A-M4008T-4-*	Tolerance: .XXX 2:15 .XX 2:25 .X 2:35	Angular Dim. .XX? ? .X? ? .X? ?
TITLE (品名)	卧式板端MiniFakra connector			

**HRBCN**

Drawn by (制图)	TINA	Date (日期)	2021/04/08
Confirmed by (审核)	Miki	Version (版本)	A2
Approved by (核准)	David	SHEET (页数)	1 of 1