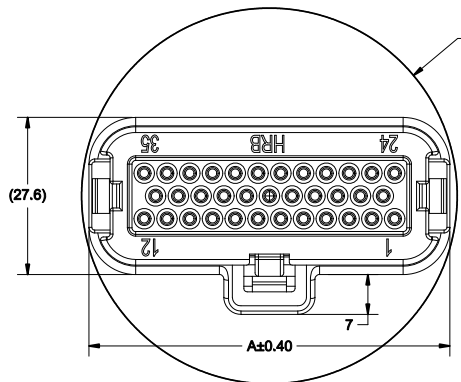
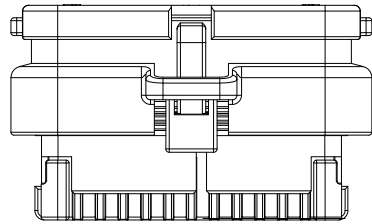
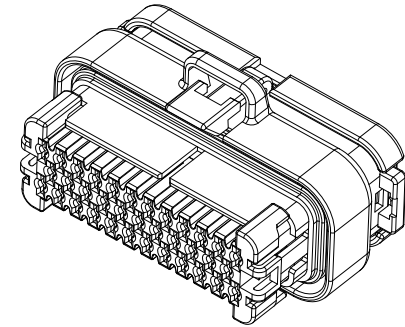


A0		NEW	2021.9.10	CML

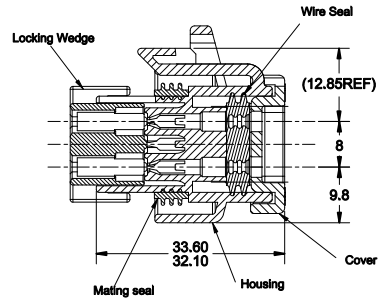
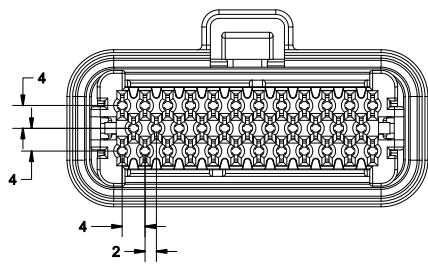


Assembly will pass through opening of Ø66 (reference)

- Material: Housing- UL94V-0 PBT  
Locking Wedge- UL94V-0 PBT, Red  
Cover-UL94V-0 PBT,Black  
Mating Seal- silicone  
Wire Seal-silicone
- Housing colors are mechanically keyed to mate with identically colored header assemblies.
- \*Electrical Specification  
Current Rating: 6 Ampere Max. (AWG16#)  
4.5 Ampere Max. (AWG18#)  
3 Ampere Max. (AWG20#)  
Voltage Rating: 250V AC/DC Max.  
Insulation Resistance: 100 MΩ min.  
Operating Temperature: - 40°C To +105°C



Key coding		
Part No.	A-M4022-8-B	A-M4022-8-N
Color	Black	Natural



Key coding				
Part No.	A-M4022-14-B	A-M4022-14-N	A-M4022-14-G	A-M4022-14-Bu
Color	Black	Natural	Gray	Blue

Key coding				
Part No.	A-M4022-23-B	A-M4022-23-N	A-M4022-23-G	A-M4022-23-Bu
Color	Black	Natural	Gray	Blue

Key coding					
Part No.	A-M4022-35-B	A-M4022-35-N	A-M4022-35-G	A-M4022-35-Bu	A-M4022-35-O
Color	Black	Natural	Gray	Blue	Orange

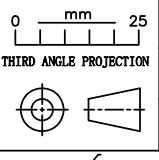
Part No.: A-M4022-N-C  
 Color: B:Black  
 N:Natural  
 G:Gray  
 BU:Blue  
 O:Orange  
 Pin No.: 08:8Pin  
 14:8Pin  
 23:23Pin  
 35:35Pin

Circuit No.	A	B
8Pin	27.4	8.0
14Pin	35.4	16.0
23Pin	47.4	28.0
35Pin	63.4	44.0

料号 (Part No.)	A-M4022-N-C (COLOR)		
产品名称 (Product Name)	4.0PH line end N Pin Housing		
比例 (Scale)	1:1	版本 (Version)	A0

UNIT:mm	
Tolerance:	Angular Dim.
.XXX ±0.10	.XX° ±1°
.XX ±0.20	.X° ±2°
.X ±0.30	X.° ±3°

**HRB** 东莞市鸿儒连接器有限公司  
**HRBCN** Hong Ru Connectors(DG) Co.,Ltd.



核准 Approved:		日期 Date:	
审核 Checked:		日期 Date:	
设计 Designed:	Yi Xiao Xu	日期 Date:	2021.9.10