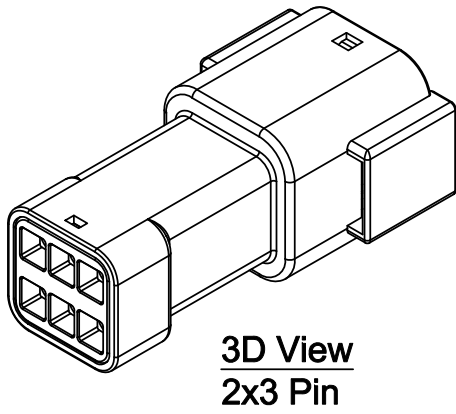
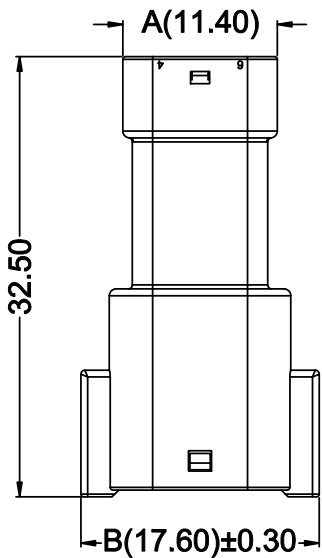
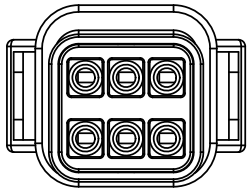


A		Initial release	08/18-'21	Feiyi



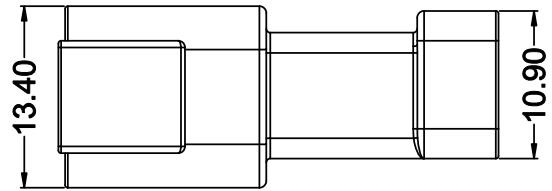
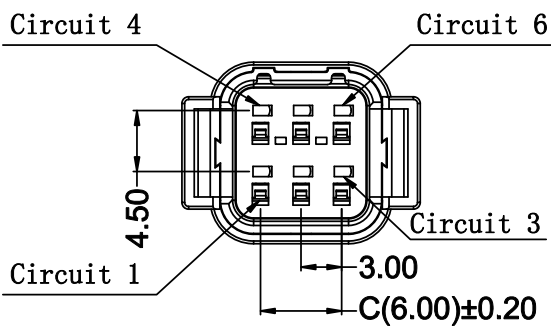
**NOTES**

**\*Material**

Housing: PBT UL94V-0;  
 Seal ring: Silicon rubber;  
 Seal ring holder : PBT UL94V-0;  
 Seal plug: Silicon rubber;  
 Seal plug holder : PBT UL94V-0;  
 Contacts: Copper Alloy;  
 Contact Plating: Tin Plating Over Ni On Contact Area  
 Used With: T30033WPPS-2  
 Mated With: M30032WP-NxN-W

**\*Electrical Specification**

- Current Rating: 10A AC,DC Max. (AWG18)
- Voltage Rating: 250V AC,DC
- Operating Temperature: -40℃~+130℃
- Insulation Resistance: 1000MΩ Min.
- Withstanding Voltage: 1500V AC/minute
- Waterproof Grade: IP67

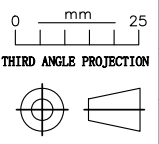


Pin No.	料号	A	B	C
2x2	M30033WP-2x2-W	8.40	14.60	3.00
2x3	M30033WP-2x3-W	11.40	17.60	6.00
2x4	M30033WP-2x4-W	14.40	20.60	9.00
2x5	M30033WP-2x5-W	17.40	23.60	12.00
2x6	M30033WP-2x6-W	20.40	26.60	15.00

料号 (Part No.)	M30033WP-NxN-W	UNIT:mm	
产品名称 (Product Name)	Water Proof 3.0 Pitch Female (NxN) Pin	Tolerance: .XXX ±0.10 .XX ±0.20 .X ±0.30	Angular Dim. .XX° ±1° .X° ±2° X.° ±3°
比例(Scale)	1:1	版本(Version)	A



东莞市鸿儒连接器有限公司  
 Hong Ru Connectors(DG) Co.,Ltd.



核准 Approved:		日期 Date:	08/18-'21
审核 Checked:		日期 Date:	08/18-'21
设计 Designed:	Feiyi	日期 Date:	08/18-'21