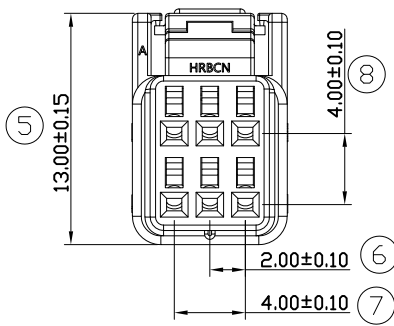
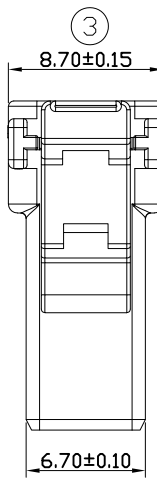
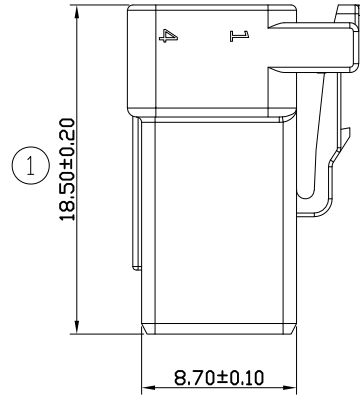
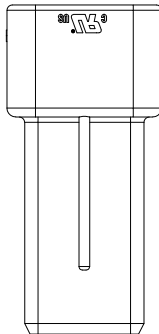


A0	---	初版发行	2020. 5. 22	CML
A1	ECN-2021052001	增加锁扣的防滑结构	2021. 5. 20	CML
A2	ECN-20210817001	增加 CUL Logo	2021. 8. 19	CML



**SPECIFICATIONS:**

- Current Rating: 3A AC, DC Max.
- Voltage Rating: 100V AC, DC
- Operating Temperature: -40°C ~ +130°C
- Insulation Resistance: 1000MΩ Min.
- Withstanding Voltage: 1000V AC/minute
- Material:

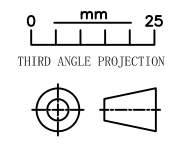
Housing: PBT UL94V-0, natural (white)  
 Seal plug: Silicon rubber

**M20032E-2X3-C**

Color:  
 W: White  
 B: Black  
 G: Gray

料号 (Part No.)	<b>M20032E-2x3-C</b>		
产品名称 (Product Name)	<b>2.0防水E-unlock连接器</b>		
比例 (Scale)	1:1	版本 (Version)	A2

<b>UNIT:mm</b>	
Tolerance:	Angular Dim.
.XXX ±0.05	.XX° ±1°
.XX ±0.10	.X° ±2°
.X ±0.20	X.° ±3°



核准 Approved:		日期 Date:	
审核 Checked:		日期 Date:	
设计 Designed:	CML	日期 Date:	2021. 8. 19

Version 版次	Engineer Change No ECN编码	Change Description 变更描述	Date 日期	Approved by 审核
A0	----	初版发行	2020. 5. 22	CML
A1	ECN-2021052001	增加锁扣的防滑结构	2021. 5. 20	CML
A2	ECN-20210817001	增加 CUL Logo	2021. 8. 19	CML

**SPECIFICATIONS:**

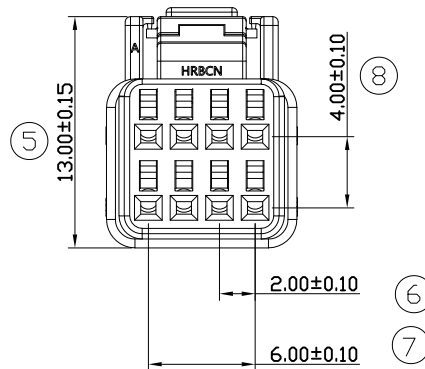
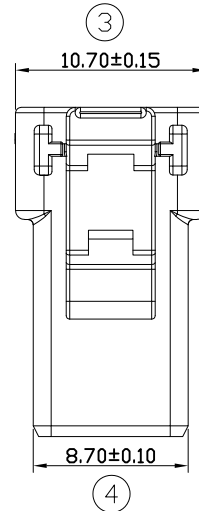
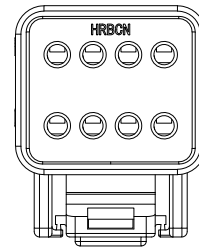
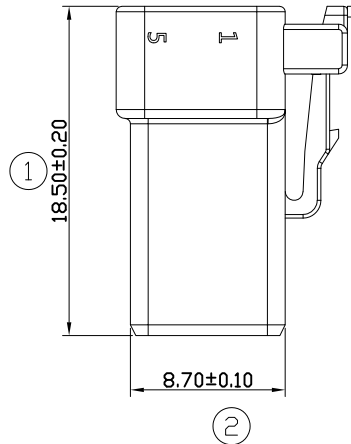
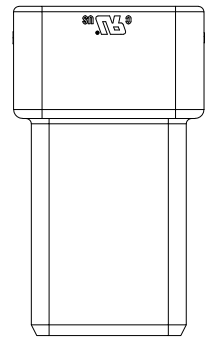
- Current Rating: 3A AC, DC Max.
- Voltage Rating: 100V AC, DC
- Operating Temperature: -40°C ~ +130°C
- Insulation Resistance: 1000MΩ Min.
- Withstanding Voltage: 1000V AC/minute
- Material:

Housing: PBT UL94V-0, natural(white)

Seal plug: Silicon rubber

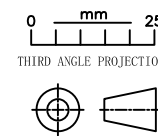
**M20032E-2X4-C**

Color:  
W: White  
B: Black  
G: Gray



料号 (Part No.)	M20032E-2x4-C		
产品名称 (Product Name)	2.0防水E-unlock连接器		
比例 (Scale)	1:1	版本 (Version)	A2

UNIT:mm	
Tolerance:	Angular Dim.
.XXX ±0.05	.XX° ±1°
.XX ±0.10	.X° ±2°
.X ±0.20	X.° ±3°



核准 Approved:		日期 Date:	
审核 Checked:		日期 Date:	
设计 Designed:	CML	日期 Date:	2021. 8. 19