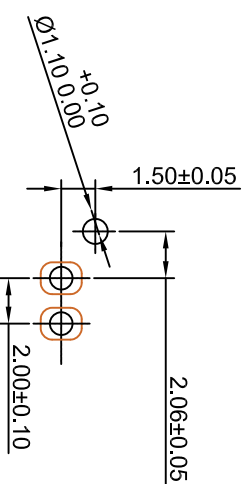
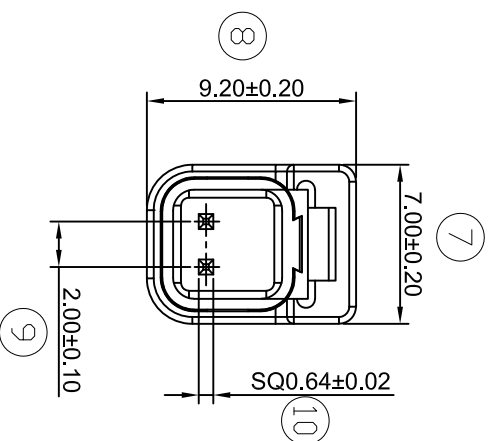
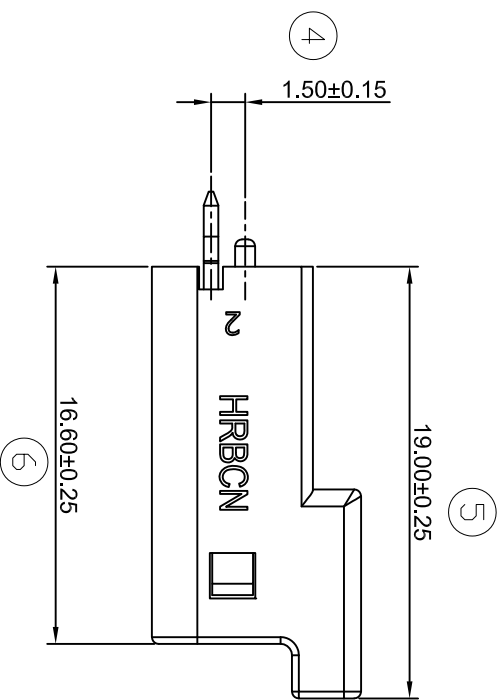
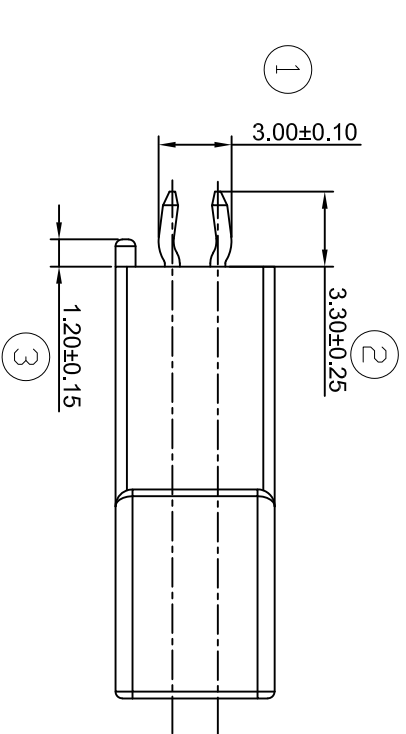


Version	Description of Change	Date	Drawn by
A0	New	2021.10.9	陈明林

**Specification:**

Current rating : 3A AC, DC  
Voltage rating: 100V AC, DC  
Temperature range: -40°C to 120°C  
Insulation resistance: 100MΩ Min.  
Withstanding Voltage: 1000V AC/minute  
Water proof grade: IPX7  
Material: Housing: PBT UL94V-0  
Seal ring: Silicon rubber  
Pin: Copper alloy, tin plated over nickle



PCB Layout

Color:  
W: White  
B: Black  
G: Gray

M20036E-1x2-C

Part NO. (料号)	Version (版本)	Date (日期)
M20036E-1x2-C	A0	2021.10.9
Title (名称) 2.0防水2pin连接器		

0	25
THIRD ANGLE PROJECTION	
Tolerance:	UNIT: mm
.XXX ±0.05	.XX ±0.10
.X ±0.20	X° ±1°
X° ±3°	



东莞市鸿儒连接器有限公司  
Hongru Connectors Co., Ltd.

Drawn by (制图)	Confirmed by (审核)	Approved by (核准)
陈明林		

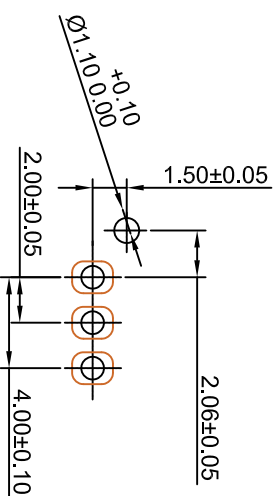
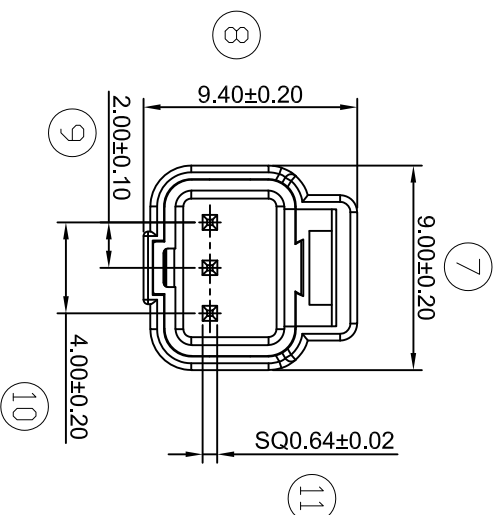
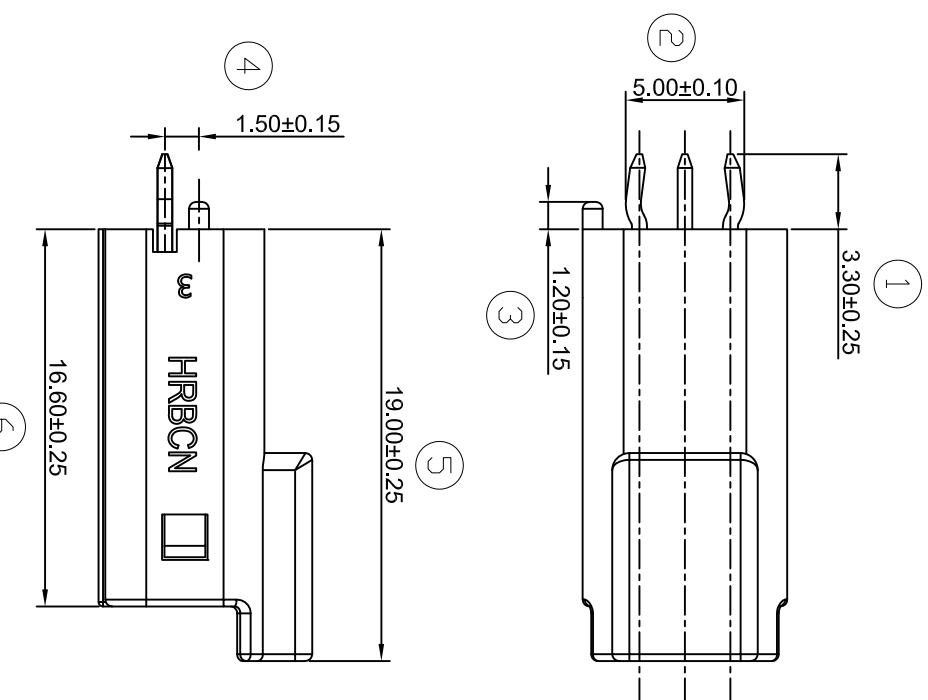
Version	Description of Change	Date	Drawn by
A0	New	2021.10.9	陈明林

**Specification:**

Current rating : 3A AC, DC  
Voltage rating: 100V AC, DC  
Temperature range: -40°C to 120°C  
Insulation resistance: 100MΩ Min.  
Withstanding Voltage: 1000V AC/minute  
Water proof grade: IPX7  
Material: Housing: PBT UL94V-0  
Seal ring: Silicon rubber  
Pin: Copper alloy, tin plated over nickle

M20036E-1X3-C

Color:  
W: White  
B: Black  
G: Gray



**PCB Layout**

Part NO. (料号)	Version (版本)	Date (日期)
M20036E-1X3-C	A0	2021.10.9
Title (名称) 2.0防水3pin连接器		



UNIT: mm	Angular Dim.
Tolerance: .XXX ±0.05 .XX ±0.10 .X ±0.20	.XX° ±1° .X° ±2° .X° ±3°



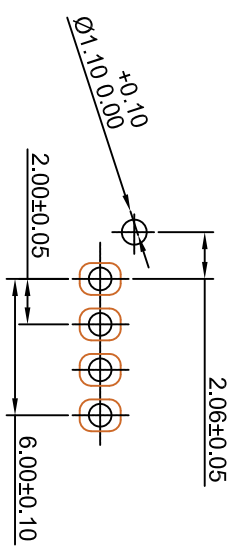
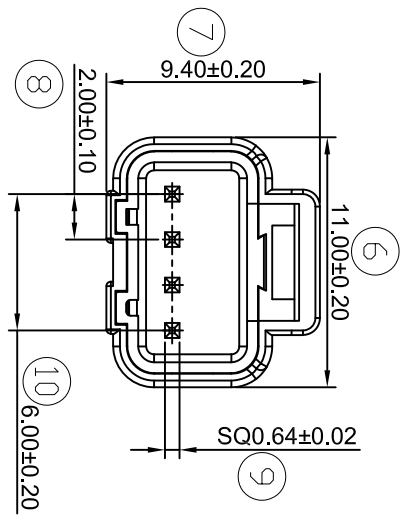
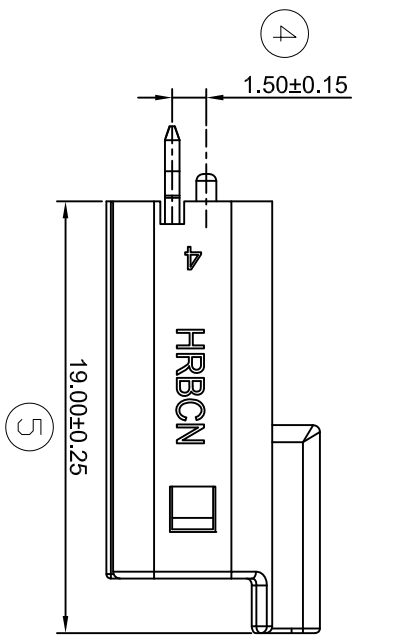
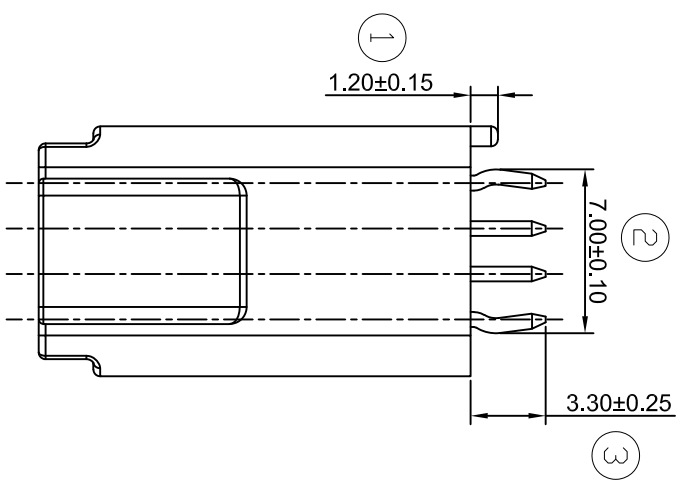
东莞市鸿儒连接器有限公司  
Hongru Connectors Co., Ltd.

Drawn by (制图)	Confirmed by (审核)	Approved by (核准)
陈明林		

Version	Description of Change	Date	Drawn by
A0	New	2021.08.14	陈明林

**Specification:**

- Current rating : 3A AC, DC
- Voltage rating: 100V AC, DC
- Temperature range: -40°C to 120°C
- Insulation resistance: 100MΩ Min.
- Withstanding Voltage: 1000V AC/minute
- Water proof grade: IPX7
- Material: Housing: PBT UL94V-0
- Pin: Copper alloy, tin plated over nickle
- Seal ring: Silicon rubber



PCB Layout

M20036E-1X4-C  
 Color:  
 W: White  
 B: Black  
 G: Gray

Part NO. (料号)	Version (版本)	Date (日期)
M20036E-1X4-C	A0	2021.08.14
Title(名称) 2.0防水4pin连接器		

0	25	mm
FIRST ANGLE PROJECTION		
Tolerance:	Angular Dim.	UNIT: mm
.XXX ±0.05	XX° ±1°	
.XX ±0.10	X° ±2°	
X ±0.20	±3°	



东莞市鸿儒连接器有限公司  
 Hongru Connectors Co., Ltd.

Drawn by (制图)	Confirmed by (审核)	Approved by (核准)
陈明林		