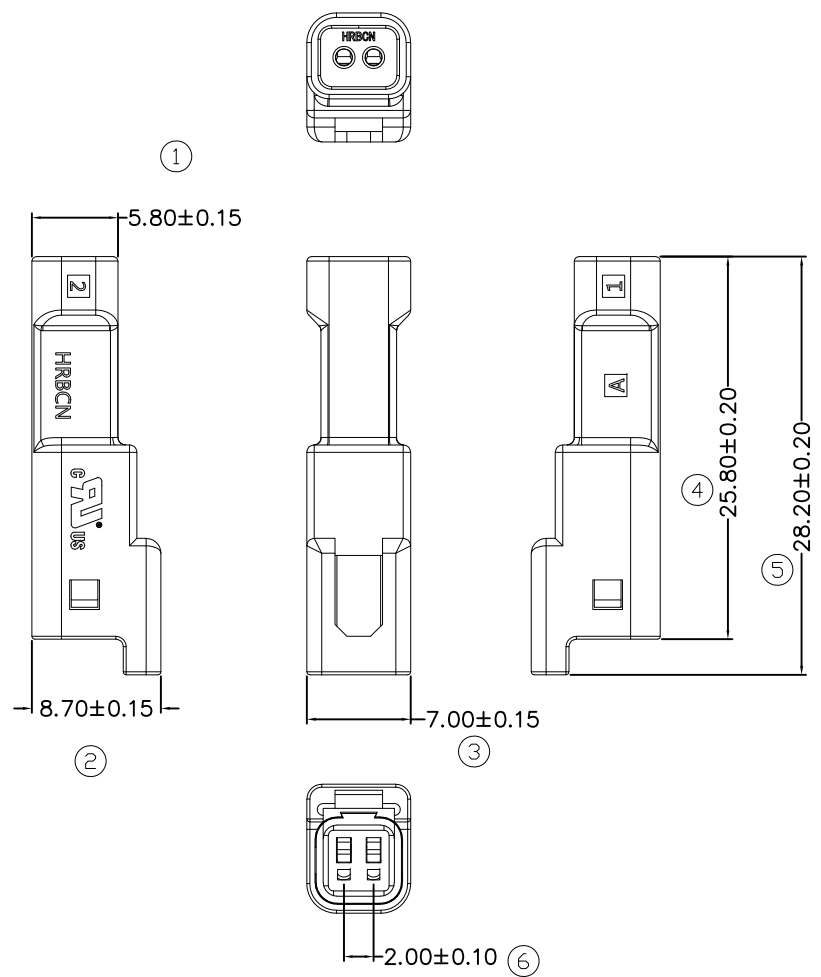


1	2	3	4	5	6	7	8	
页数 (Page No.)	1/1	Used By:	HRBCN	Version 版次	Engineer Change No ECN编码	Change Description 变更描述	Date 日期	Approved by 审核
				A0	---	初版发行	2020. 5. 22	CML
				A1	ECN-20210817001	增加 CUL Logo	2021. 8. 19	CML



SPECIFICATIONS:

- Current Rating: 3A AC, DC Max.
- Voltage Rating: 100V AC, DC
- Operating Temperature: -40°C ~ +130°C
- Insulation Resistance: 1000MΩ Min.
- Withstanding Voltage: 1000V AC/minute
- Material: Housing: PBT UL94V-0, natural (white)
Seal ring: Silicon rubber
Seal plug: Silicon rubber
Seal ring holder: PBT UL94V-0, yellow

M20033E-1X2-C

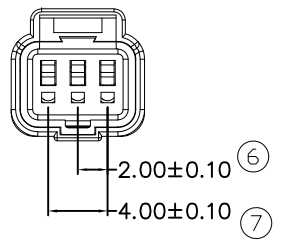
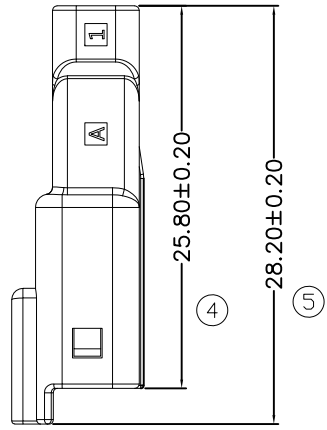
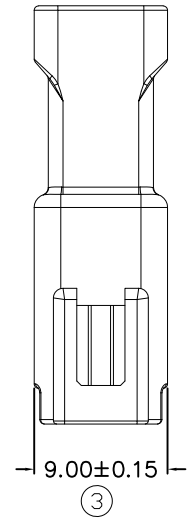
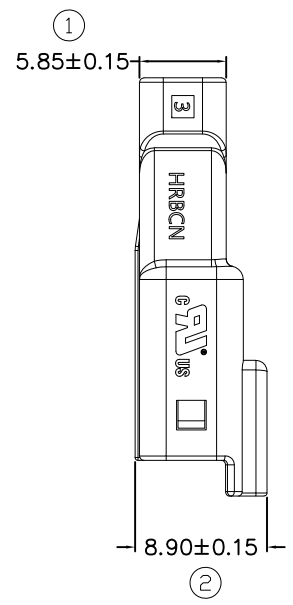
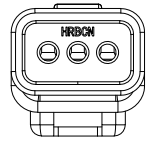
Color:
W: White
B: Black
G: Gray

料号 (Part No.)	M20033E-1X2-C		UNIT:mm			 THIRD ANGLE PROJECTION	核准 Approved:	日期 Date:
产品名称 (Product Name)	2.0防水E-unlock连接器		Tolerance:	Angular Dim.			审核 Checked:	日期 Date:
比例 (Scale)	1:1	版本 (Version)	A1	.XXX ±0.05 .XX° ±1°			设计 Designed:	CML

1	2	3	4	5	6	7	8	
页数 (Page No.)	1/1	Used By:	HRBCN	Version 版次	Engineer Change No ECN编码	Change Description 变更描述	Date 日期	Approved by 审核
				A0	---	初版发行	2020. 5. 22	CML
				A1	ECN-20210817001	增加 CUL Logo	2021. 8. 19	CML

A
B
C
D
E

A
B
C
D
E



SPECIFICATIONS:

- Current Rating: 3A AC, DC Max.
- Voltage Rating: 100V AC, DC
- Operating Temperature: -40°C ~ +130°C
- Insulation Resistance: 1000MΩ Min.
- Withstanding Voltage: 1000V AC/minute
- Material: Housing: PBT UL94V-0, natural (white)
Seal ring: Silicon rubber
Seal plug: Silicon rubber
Seal ring holder: PBT UL94V-0, yellow

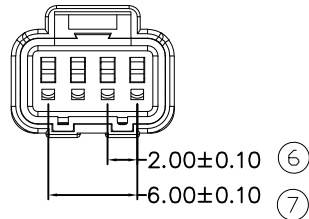
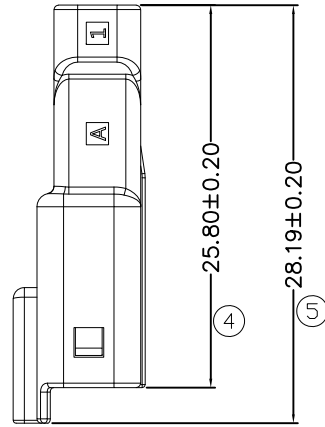
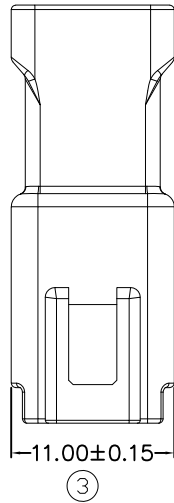
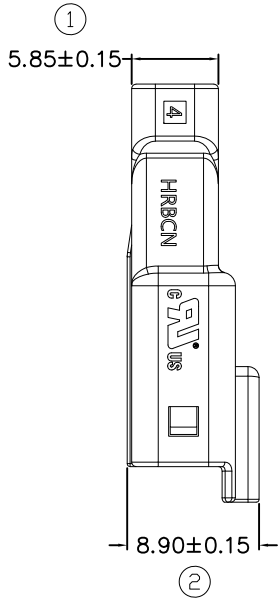
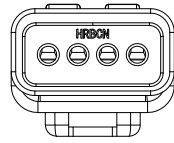
M20033E-1X3-C

Color:
W: White
B: Black
G: Gray

料号 (Part No.)	M20033E-1X3-C		UNIT:mm			 THIRD ANGLE PROJECTION	核准 Approved:	日期 Date:
产品名称 (Product Name)	2.0防水E-unlock连接器		Tolerance:	Angular Dim.			审核 Checked:	日期 Date:
比例 (Scale)	1:1	版本 (Version)	A1	.XXX ±0.05 .XX° ±1° .XX ±0.10 .X° ±2° .X ±0.20 X.° ±3°			设计 Designed:	CML

1 2 3 4 5 6 7 8

1	2	3	4	5	6	7	8	
页数(Page No.)	1/1	Used By:	HRBCN	Version 版次	Engineer Change No ECN编码	Change Description 变更描述	Date 日期	Approved by 签核
				A0	---	初版发行	2020. 5. 22	CML
				A1	ECN-20210817001	增加 CUL Logo	2021. 8. 19	CML



SPECIFICATIONS:

- Current Rating: 3A AC, DC Max.
- Voltage Rating: 100V AC, DC
- Operating Temperature: -40°C ~ +130°C
- Insulation Resistance: 1000MΩ Min.
- Withstanding Voltage: 1000V AC/minute
- Material: Housing: PBT UL94V-0, natural(white)
Seal ring: Silicon rubber
Seal plug: Silicon rubber
Seal ring holder : PBT UL94V-0, yellow

M20033E-1X4-C

Color:
W: White
B: Black
G: Gray

料号 (Part No.)	M20033E-1X4-C		UNIT:mm			 THIRD ANGLE PROJECTION	核准 Approved:	日期 Date:
产品名称 (Product Name)	2.0防水E-unlock连接器		Tolerance:	Angular Dim.			审核 Checked:	日期 Date:
比例 (Scale)	1:1	版本 (Version)	A1	.XXX ±0.05 .XX° ±1° .XX ±0.10 .X° ±2° .X ±0.20 X.° ±3°			设计 Designed:	CML