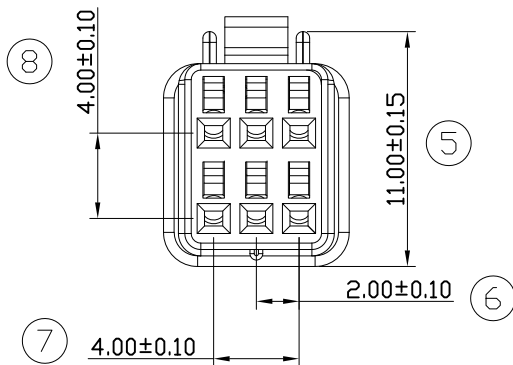
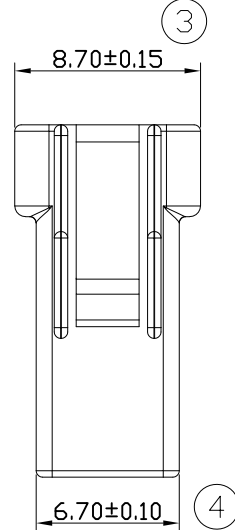
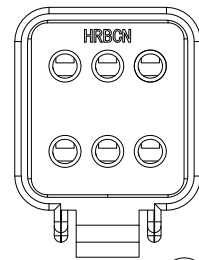
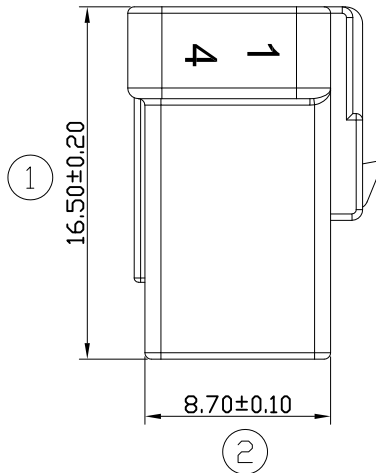
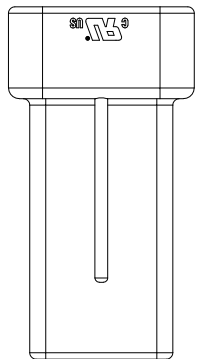


Version 版次	Engineer Change No ECN编码	Change Description 变更描述	Date 日期	Approved by 审核
A0	----	初版发行	2017. 3. 17	CML
A1	ECN-20210817001	增加 CUL Logo	2021. 8. 19	CML



SPECIFICATIONS:

- Current Rating: 3A AC, DC Max.
- Voltage Rating: 100V AC, DC
- Operating Temperature: -40°C ~ +130°C
- Insulation Resistance: 1000MΩ Min.
- Withstanding Voltage: 1000V AC/minute
- Material:

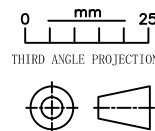
Housing: PBT UL94V-0, natural(white)
 Seal plug: Silicon rubber

M20032-2X3-C

Color:
 W: White
 B: Black
 G: Gray

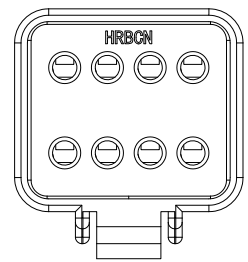
料号 (Part No.)	M20032-2x3-W		
产品名称 (Product Name)	2.0防水连接器		
比例(Scale)	1:1	版本(Version)	A1

UNIT:mm	
Tolerance:	Angular Dim.
.XXX ±0.05	.XX° ±1°
.XX ±0.10	.X° ±2°
.X ±0.20	X.° ±3°



核准 Approved:		日期 Date:	
审核 Checked:		日期 Date:	
设计 Designed:	CML	日期 Date:	2021. 8. 19

A0	---	初版发行	2017. 3. 17	CML
A1	ECN-20210817001	增加 CUL Logo	2021. 8. 19	CML



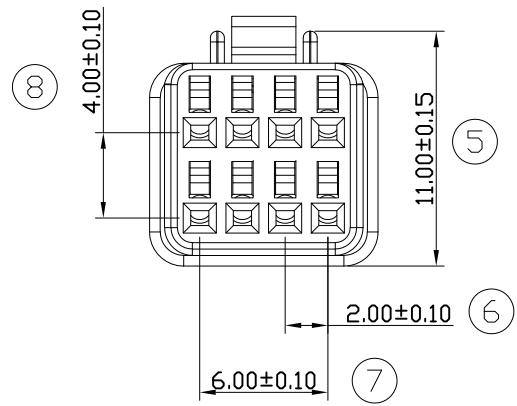
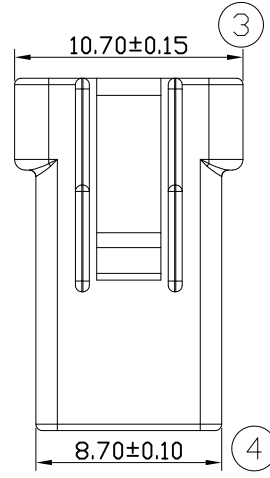
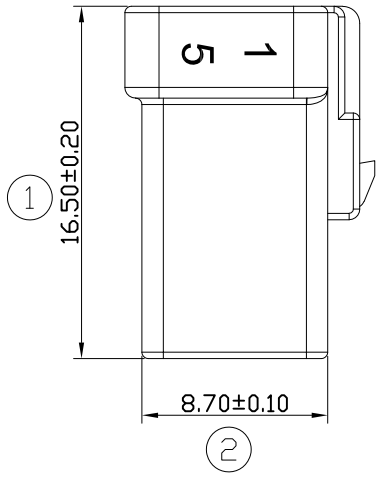
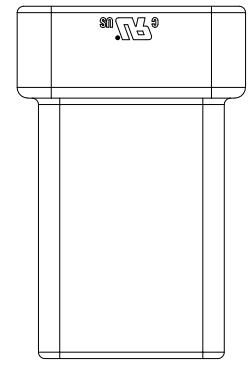
SPECIFICATIONS:

- Current Rating: 3A AC, DC Max.
- Voltage Rating: 100V AC, DC
- Operating Temperature: -40°C ~ +130°C
- Insulation Resistance: 1000MΩ Min.
- Withstanding Voltage: 1000V AC/minute
- Material:

Housing: PBT UL94V-0, natural (white)
Seal plug: Silicon rubber

M20032-2X4-C

Color:
W: White
B: Black
G: Gray



料号 (Part No.)	M20032-2x4-W		UNIT:mm			 THIRD ANGLE PROJECTION	核准 Approved:	日期 Date:
产品名称 (Product Name)	2.0防水连接器		Tolerance:	Angular Dim.			审核 Checked:	日期 Date:
比例 (Scale)	1:1	版本 (Version)	A1	.XXX ±0.05 .XX° ±1° .XX ±0.10 .X° ±2° .X ±0.20 X.° ±3°			设计 Designed:	CML